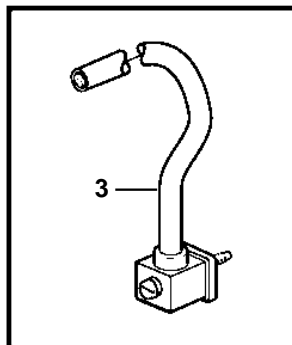
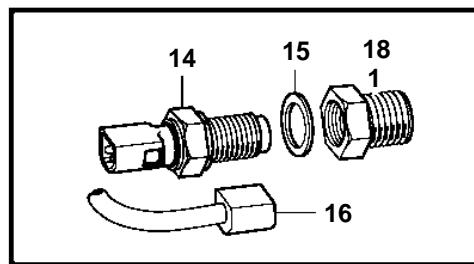
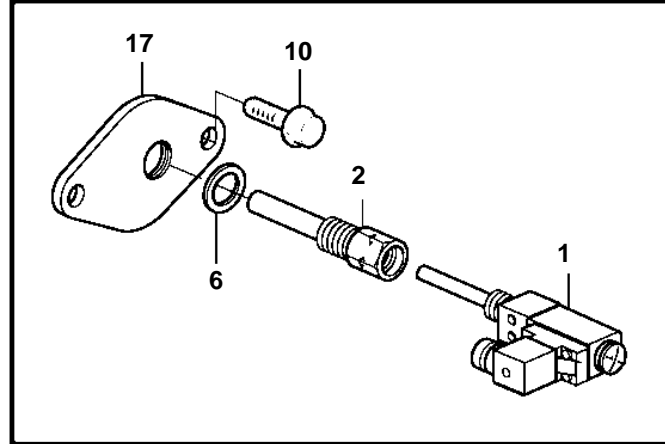
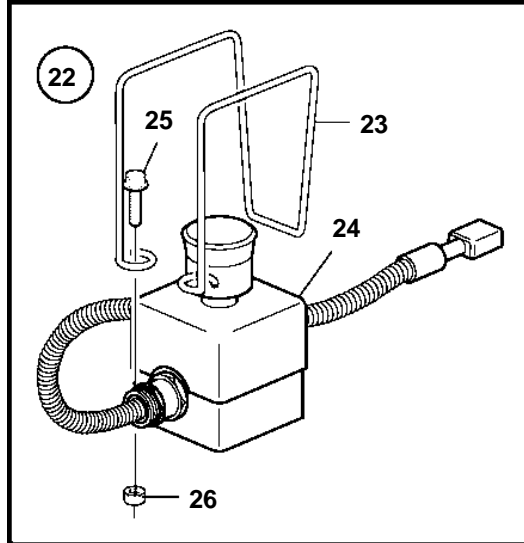
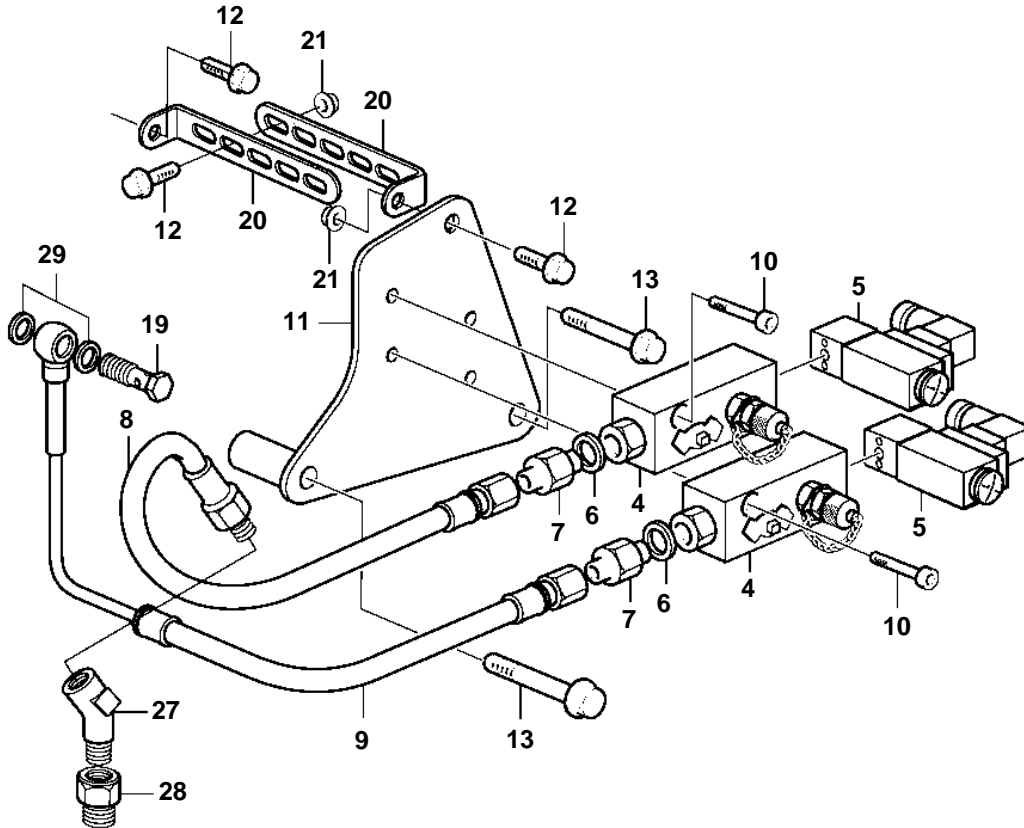


D9A2A MG



22170

D9A2A MG

REF	PART NO.	QTY	DESCRIPTION	NOTES
1	881869	1	Thermo monitor, coolant water/oil temp.	
2	873715	1	Sleeve	
3	3588563	1	Wiring harness	L=2,0m. Extension cable for sensors, shut down.
	3588564	1	Cable harness	L=13.0' (4.0m). Extension cable for sensors, shut down.
4	3831442	2	Block	
5	881871	2	Pressure monitor, coolant water/oilpressure	0-4bar
6	18817	3	Gasket	
7	957030	2	Fitting	
8	3835281	1	Hose	
9	3819807	1	Oil hose	
10	947671	3	Allen head screw	
11	3818688	1	Bracket	
12	946173	4	Flange screw	
13	965182	2	Flange screw	
14	862251	1	Tachometer sensor	
15	948884	1	Washer	
16	3819589	1	Cable harness	
17	3818686	1	Cover	
18	872939	1	Adapter	
19	941686	1	Hollow screw	
20	965567	2	Bracket	
21	948645	3	Lock nut	
22		1	Switch	
23	3838198	1	Brace	
24	3588154	1	Stop button	
25	946440	1	Flange screw	
26	945408	1	Flange nut	
27	809109	1	Elbow nipple	
28	947899	1	Nipple	
29	11996	2	Gasket	